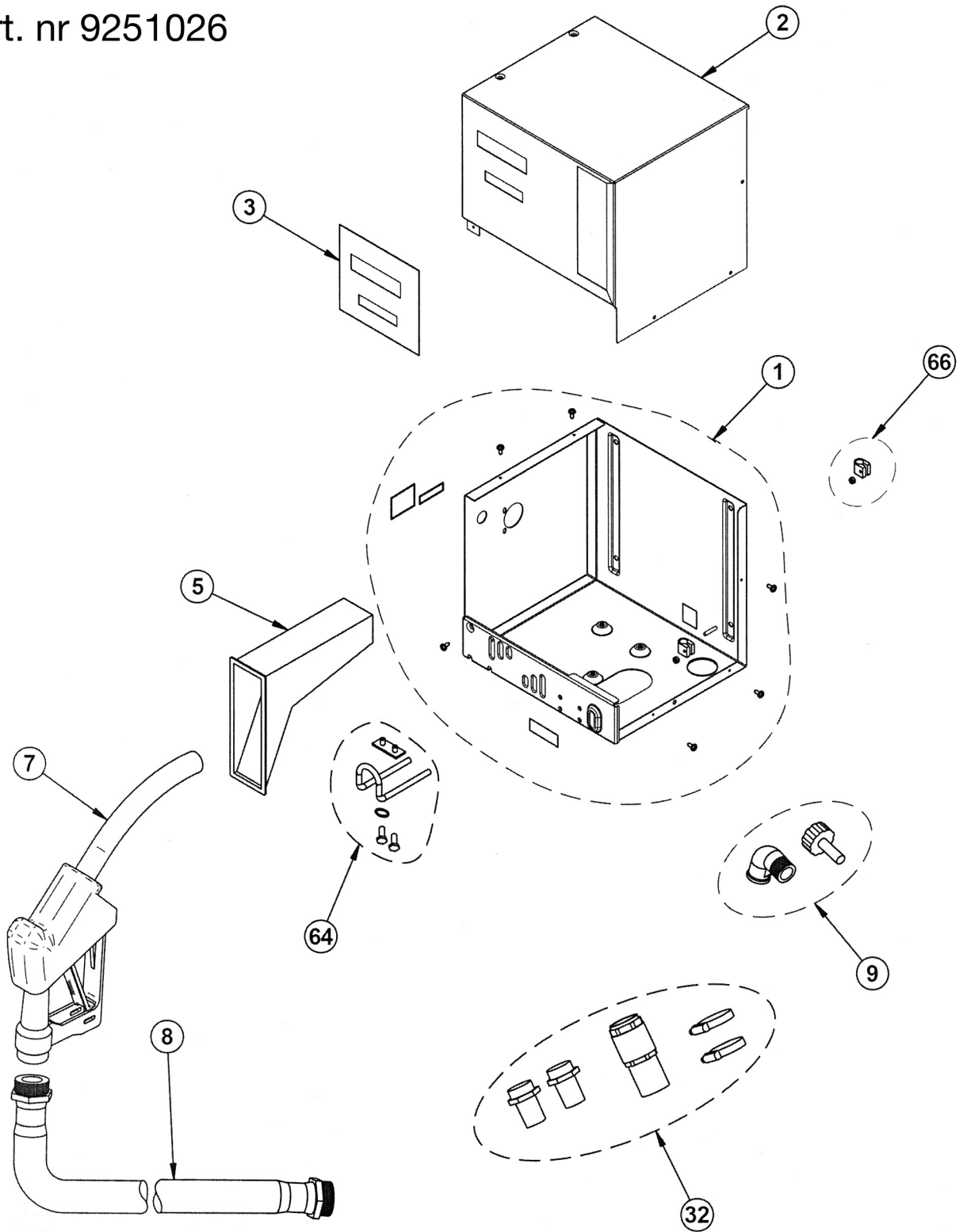
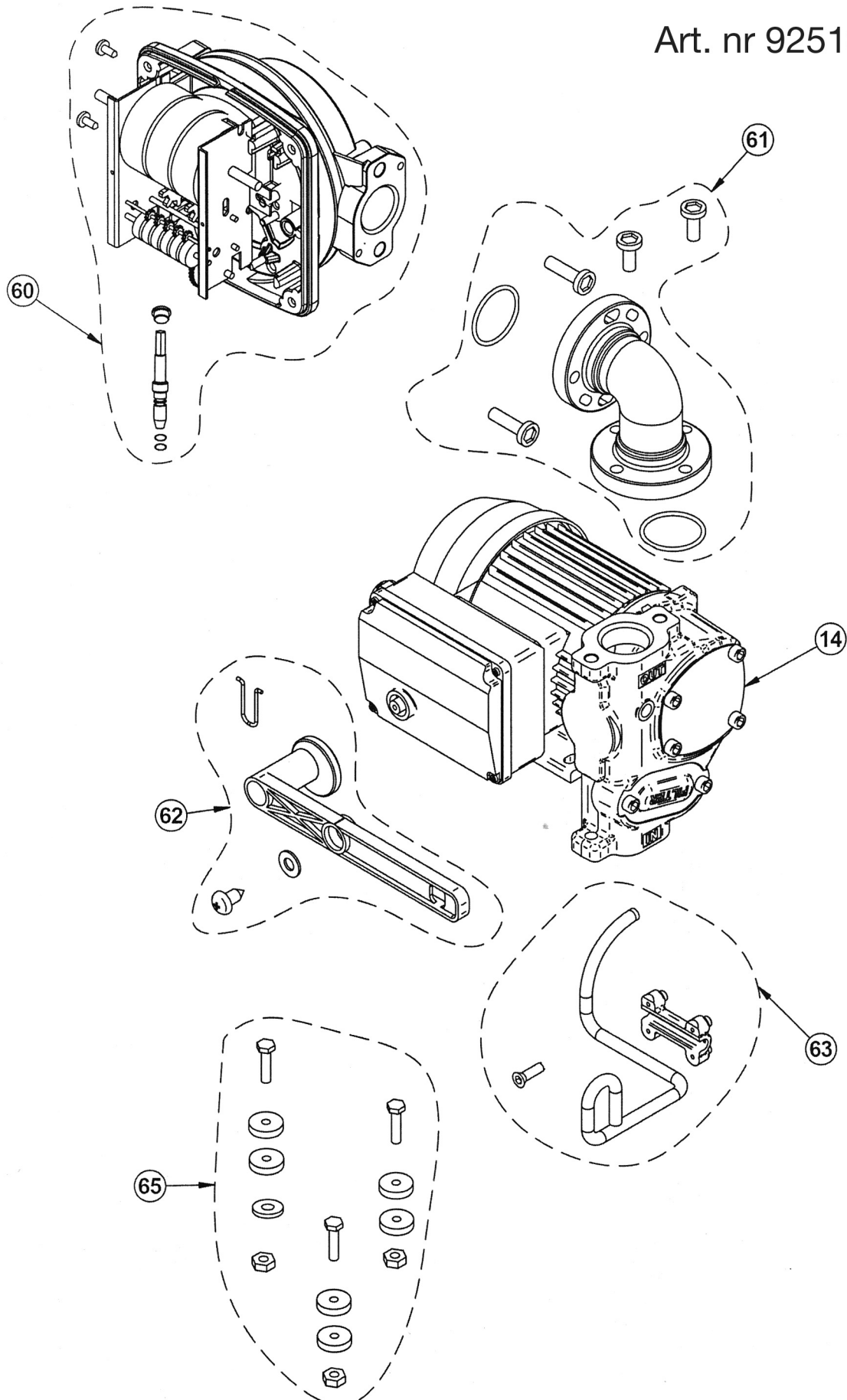


Art. nr 9251026



Art. nr 9251026





www.piusi.com
CERTIFIED
UNI-EN ISO 9001

Art. nr 9251026

PIUSI S.p.A.
Via Pacinotti Z.I. Rangavino
46029 SUZZARA (Mantova) Italy
Tel. +39-0376.534561
Fax. +39-0376.536393
e-mail: piusi@piusi.com

Cap.Soc. € 516.456,00 i.v.
C.F./P.IVA 01869920205
Iscriz. R.I. MN01869920205
Meccan. MN 017110
R.E.A. MN 204928
V.A.T. IT 01869920205

Spare Parts

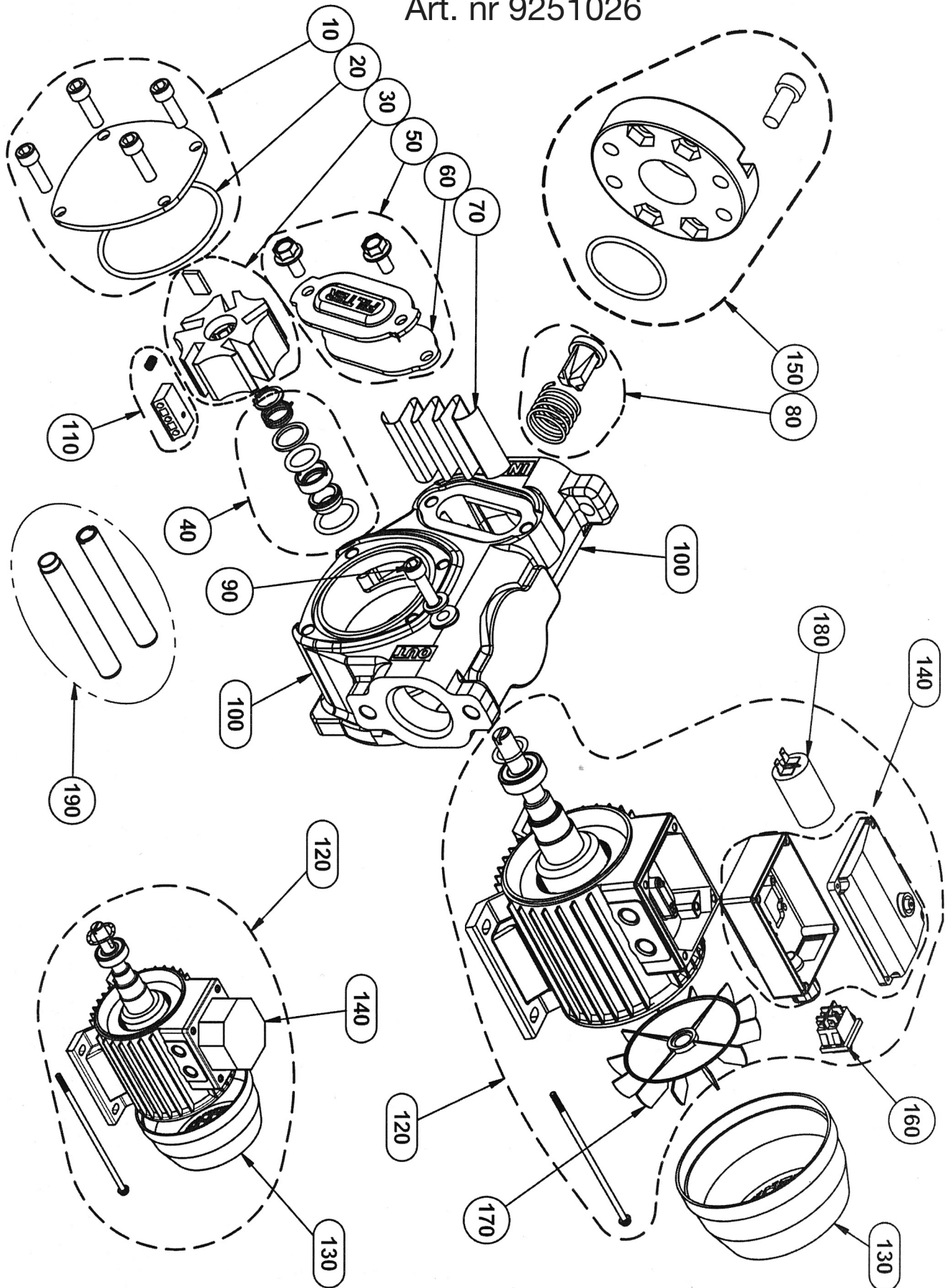
Material Code Model
 📎 Info Documents of Material

00057500C **CUBE 56/33**
 📎 **LR_A00005.pdf**

Spare Parts List cod. 00057500C CUBE 56/33
Status : **Item in Production**

Pos.	Material Code	Description	QT	UM
		📎 Info Documents of Material		
0001	R1249000A	METAL SHEET+SCREWS+LABELS -NEW-	1	PC
0002	R1228600B		1	PC
0003	R12696000	LABEL CUBE 50/33	1	PC
0005	R0873500B	NOZZLE SEAT CUBE 50	1	PC
0007	F00603060	AUTOMATIC NOZZLE A60	1	PC
0008	F08976000	RUBBER HOSE D.20 4 MT , 1 IN X 1 IN	1	PC
0009	R12634000	KIT KNOB + ELBOW	1	PC
0014	R11528000	GROUP PANTHER 56 M 230V/50Hz	1	PC
0032	R08958000	KIT NO BACK VALVE	1	PC
0060	R12491000	GROUP METERK33 CUBE 56	1	PC
0061	R10824000	KIT FLANGED + ELBOW + OR + SCREW	1	PC
0062	R12699000	KIT ARM CUBE 56	1	PC
0063	R1270000A		1	PC
0064	R12701000	KIT HOSE SUPPORT CUBE 56	1	PC
0065	R12723000	KIT PUMP FIXING CUBE 70/33	1	PC
0066	R13131000	KIT CORE HITCH	1	PC

Art. nr 9251026



Art. nr 9251026



PIUSI S.p.A.
Via Pacinotti Z.I. Rangavino
46029 SUZZARA (Mantova) Italy
Tel. +39-0376.534561
Fax. +39-0376.536393
e-mail: piusi@piusi.com

Cap.Soc. € 516.456,00 i.v.
C.F./P.IVA 01869920205
Iscriz. R.I. MN01869920205
Meccan. MN 017110
R.E.A. MN 204928
V.A.T. IT 01869920205

www.piusi.com
CERTIFIED
UNI-EN ISO 9001

Spare Parts

Material Code Model
📄 Info Documents of Material
000730000 PANTHER 56 230V/50HZ
📄 LR_P00006.pdf

Spare Parts List cod. 000730000 PANTHER 56 230V/50HZ
Status : **Item in Production**

Pos.	Material Code	Description	QT	UM
		📄 Info Documents of Material		
0010	R10361000	CHAMBER COVER KIT	1	PC
0020	R11461000	CHAMBER COVER GASKET KIT	1	PC
0030	R13282000	KIT ROTOR w/KEY FOR PANTHER DC	1	PC
0040	R11737000	MOTOR SHAFT SEAL KIT PANTHER 56\72	1	PC
0050	R10360000	FILTER COVER KIT	1	PC
0060	R1036200A	FILTER COVER GASKET	1	PC
0070	R10363000	PANTHER FILTER KIT	1	PC
0080	R10515000	BY-PASS KIT	1	PC
0090	R11702000	ANTISIPHON KIT	1	PC
0100	R11759000	CIRCULAR CHAMBER PUMP CASING	1	PC
0110	R11276000	KIT NR. 5 BLADES + NR. 5 SPRING	1	PC
0120	R1036700A	0,5 HP ENGINE KIT	1	PC
0130	R08535000	0,5 HP ENGINE FAN COVER KIT	1	PC
0140	R12746000	KIT TERMINAL BOX PANTHER 56/72	1	PC
0150	R09180000	FLANGE KIT	1	PC
0160	R07667000	2POLES SWITCH COMELUX MD 4010 I 3502 B01	1	PC
0170	R08534000	0,5 HP ENGINE FAN KIT	1	PC
0180	R08193000	KIT CONDENSER 16uF MOTOR 0.7 HP	1	PC
0190	R12799000	KIT TOOL FOR REPLACING MECHANICAL SEAL	1	PC